

## LZB Glass Tube Rotameter

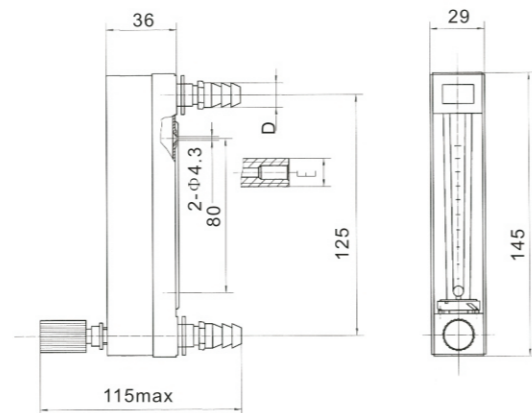
### LZB-DK800

DK800 series glass rotameter ,The compacted flowmeter is suitable for measuring and regulating small flowrate. Smart design permits convenient replacement Of(tapered glass)tube and float with the flowmeter staying in the pipe run. It can be connected to either Hoses or metal pipes.

#### Main Technical Parameters

Model	Diameter (mm)	Range (L/h)		Accuracy (± %)	Media State		D	E	Outer Diameter Of Metal Pipe (mm)
		Water 20 °C	Air 101325Pa2°C		Working Temperature	Working Pressure			
DK800-4 DK800-4F	4	0.25-2.5	0.5-5 0.8-8 1.6-16 4-40 6-60	2.5	-20°C~ +120°C	≤1.0MPa	Φ11	M10×1	Φ6
DK800-6 DK800-6F	6	0.5-5 1.2-12 2.5-25 4-40 6-60 10-100 16-160	10-100 25-250 50-500 80-800 100-1000 180-1800 240-2400 300-3000 350-3500 430-4300						

**Note:**Model with “F” : Corrosion Resistant Model



## LZB Glass Tube Rotameter

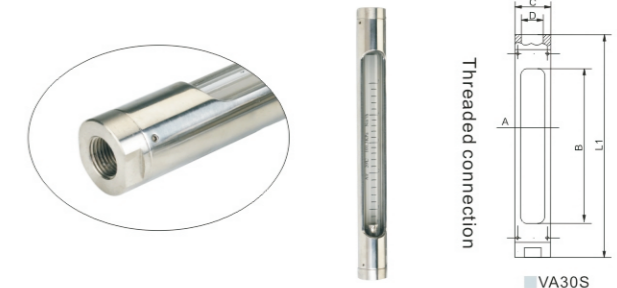
This Series of flowmeter is made of SS304. There are female Screw thread, Flange Connection and Tri-clamp connection for choice. It is featured in nice looking and low weight.

#### Main Technical Parameters

Model	Diameter (mm)	Range (L/h)		Accuracy (± %)	Temperature	Working Pressure
		Water 20 °C	Air 101325Pa20°C (m³/h)			
VA 30S-15 FA 30S-15 WA 30S-15	15	4-40 10-100 16-160 25-250 36-360 46-460 65-650	6.3-63 12-120 20-200 30-300 40-400 63-630 75-750	0.12-1.2 0.3-3 0.5-5 0.8-8 1.2-12	0.2-2 0.4-4 0.6-6 0.9-9 2-20	≤1.0MPa
VA 30S-25 FA 30S-25 WA 30S-25	25	40-400 63-630 100-1000 160-1600 250-2500	50-500 80-800 120-1200 200-2000 300-3000	1.6-16 2.5-25 4-40 6-60	2-20 3-30 5-50	≤0.9MPa
VA 30S-40 FA 30S-40 WA 30S-40	40	160-1600 250-2500 400-4000	200-2000 300-3000 500-5000	5-50 8-80 12-120	6-60 9-90	≤0.7MPa
VA 30S-50 FA 30S-50 WA 30S-50	50	250-2500 400-4000 630-6300 1000-10000 4000-16000	300-3000 500-5000 800-8000 1500-15000	10-100 16-160 30-300	12-120 20-200	

#### LZB-VA 30S Glass Tube Rotameter Outline Dimensions(mm)

Diameter (mm)	Display window size a × b	VA30S Threaded Connection		
		L1	C	D
15	26×236	344	Φ38	1/2"BSP
25	34×226	348	Φ55	1"BSP
40	44×226	370	Φ70	1 1/2"BSP
50	60×216	380	Φ90	2"BSP



#### LZB-FA 30S Glass Tube Rotameter Outline Dimensions(mm)

Diameter (mm)	Display window size a × b	FA30S Flange Connection			
		L2	E	F	n-G
15	26×236	348	Φ65	Φ95	4-Φ14
25	34×226	348	Φ85	Φ115	4-Φ14
40	44×226	370	Φ110	Φ145	4-Φ18
50	60×216	370	Φ125	Φ160	4-Φ18



#### LZB-WA30S Glass Tube Rotameter Outline Dimensions(mm)

Diameter (mm)	Display window size a × b	WA30S Tri-clamp Connection		
		L3	J	K
15	26×236	376	50.5	3/4"
25	34×226	376	50.5	1"
40	44×226	376	50.5	1 1/2"
50	60×216	376	64	2"

